


- High flow modular air-preparation series
- Space saving integral gauge (P31 size only)
- Manifold style regulators available
- OSHA compliant shut-off valves



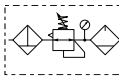
Operating information		Flow characteristics					
Working pressure :		<b>40mm body width</b>		<b>60mm body width</b>		<b>73mm body width</b>	
Plastic bowl: 10 bar max		<b>1/4" Ported</b>		<b>1/4", 3/8", &amp; 1/2" Ported</b>		<b>1/2" &amp; 3/4" Ported</b>	
Metal bowl: 17 bar max		<b>Flow</b>	<b>dm<sup>3</sup>/s</b>	<b>Flow</b>	<b>dm<sup>3</sup>/s</b>	<b>Flow</b>	<b>dm<sup>3</sup>/s</b>
Working temperature :		Filter	12	Filter	38	Filter	48
* Plastic bowl: -10°C to +52°C		Coalescing Filter	2	Coalescing Filter	11	Coalescing Filter	20
* Metal bowl: -10°C to +65.5°C		Regulator	30	Regulator	67	Regulator	100
* Refer to Technical Catalogue for individual unit temperatures		Filter Regulator	14	Filter Regulator	64	Filter Regulator	98
		Lubricator	13	Lubricator	47	Lubricator	68


**Popular Combinations - P31 Series**



**Filter + Regulator + Lubricator Combinations + Poly bowl**  
**5 micron element, 8 bar Regulator + Gauge and Wall Mounting Brackets**  
**Inlet pressure 10 bar, Secondary pressure 6.3 bar, 1 bar pressure drop.**

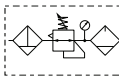
Port size	Flow dm <sup>3</sup> /s	Flow (scfm)	Manual Drain	Weight	Pulse Drain	Weight
1/4"	13	27	<b>P31CB12GEMNTLNW</b>	0.46 kg	<b>P31CB12GEBNTLNW</b>	0.46 kg






**Filter/Regulator + Lubricator Combinations + Poly bowl**  
**5 micron element, 8 bar Regulator + Gauge and Wall Mounting Brackets**  
**Inlet pressure 10 bar, Secondary pressure 6.3 bar, 1 bar pressure drop.**

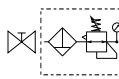
Port size	Flow dm <sup>3</sup> /s	Flow (scfm)	Manual Drain	Weight	Pulse Drain	Weight
1/4"	14	28	<b>P31CA12GEMNTLNW</b>	0.35 kg	<b>P31CA12GEBNTLNW</b>	0.35 kg






**Slide Valve + Filter/Regulator + Lubricator Combinations + Poly bowl**  
**5 micron element, 8 bar Regulator + Gauge and Wall Mounting Brackets**  
**Inlet pressure 10 bar, Secondary pressure 6.3 bar, 1 bar pressure drop.**

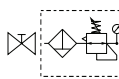
Port size	Flow dm <sup>3</sup> /s	Flow (scfm)	Manual Drain	Weight	Pulse Drain	Weight
1/4"	14	28	<b>P31YA12GEMNTLNW</b>	0.54 kg	<b>P31YA12GEBNTLNW</b>	0.54 kg





**Slide Valve + Filter/Regulator Combinations + Poly bowl**  
**5 micron element, 8 bar Regulator + Gauge and Wall Mounting Brackets**  
**Inlet pressure 10 bar, Secondary pressure 6.3 bar, 1 bar pressure drop.**

Port size	Flow dm <sup>3</sup> /s	Flow (scfm)	Manual Drain	Weight	Pulse Drain	Weight
1/4"	14	28	<b>P31YN12GEMNTW</b>	0.4 kg	<b>P31YN12GEBNTW</b>	0.4 kg



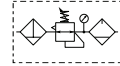
<b>P 3 1</b>					<b>E</b>		<b>N</b>		<b>LN</b>	<b>W</b>
<b>Combination</b>		<b>Thread type</b>	<b>Port size</b>		<b>Drain type</b>		<b>Adjustment range</b>		Add only for options with Lubricator	
Combination	<b>C</b>	BSPP	1	1/4	2	Manual drain	<b>M</b>	With square gauge		
Shut off + Combi <sup>1</sup>	<b>Y</b>	NPT	9			Pulse drain	<b>B</b>	2 bar *	<b>V</b>	
<b>Combination type</b>								4 bar	<b>S</b>	
F/R+L	<b>A</b>	<b>Bowl type</b>						8 bar **	<b>T</b>	
F+R+L	<b>B</b>	Poly bowl with bowl guard	<b>G</b>							
F/R	<b>N</b>	Metal bowl without sight glass	<b>M</b>							

**Note:** All bowl types are the same for each component  
**Example:** If a "G" is specified for a F+L, both units would get a poly bowl with bowl guard.

\* Unit comes with 0-4 bar, gauge respectively  
 \*\* Unit comes with 0-10 bar, gauge respectively  
<sup>1</sup> Option not available with F+R+L

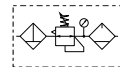


Popular Combinations - P32 Series



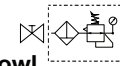
**Filter + Regulator + Lubricator Combinations + Poly bowl**  
 5 micron element, 8 bar Regulator + Gauge and Wall Mounting Brackets  
 Inlet pressure 10 bar, Secondary pressure 6.3 bar, 1 bar pressure drop.

Port size	Flow		Manual Drain	Weight	Auto Drain	Weight
	dm <sup>3</sup> /s	(scfm)				
1/4"	20	42	<b>P32CB12GEMNGLNW</b>	1.29 kg	<b>P32CB12GEANGLNW</b>	1.29 kg
3/8"	32	68	<b>P32CB13GEMNGLNW</b>	1.29 kg	<b>P32CB13GEANGLNW</b>	1.29 kg
1/2"	40	85	<b>P32CB14GEMNGLNW</b>	1.29 kg	<b>P32CB14GEANGLNW</b>	1.29 kg



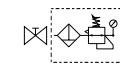
**Filter/Regulator + Lubricator Combinations + Poly bowl**  
 5 micron element, 8 bar Regulator + Gauge and Wall Mounting Brackets  
 Inlet pressure 10 bar, Secondary pressure 6.3 bar, 1 bar pressure drop.

Port size	Flow		Manual Drain	Weight	Auto Drain	Weight
	dm <sup>3</sup> /s	(scfm)				
1/4"	22	45	<b>P32CA12GEMNGLNW</b>	1.03 kg	<b>P32CA12GEANGLNW</b>	1.03 kg
3/8"	33	70	<b>P32CA13GEMNGLNW</b>	1.03 kg	<b>P32CA13GEANGLNW</b>	1.03 kg
1/2"	43	90	<b>P32CA14GEMNGLNW</b>	1.03 kg	<b>P32CA14GEANGLNW</b>	1.03 kg



**Slide Valve + Filter/Regulator + Lubricator Combinations + Poly bowl**  
 5 micron element, 8 bar Regulator + Gauge and Wall Mounting Brackets  
 Inlet pressure 10 bar, Secondary pressure 6.3 bar, 1 bar pressure drop.

Port size	Flow		Manual Drain	Weight	Auto Drain	Weight
	dm <sup>3</sup> /s	(scfm)				
1/4"	22	45	<b>P32YA12GEMNGLNW</b>	1.5 kg	<b>P32YA12GEANGLNW</b>	1.5 kg
3/8"	33	70	<b>P32YA13GEMNGLNW</b>	1.5 kg	<b>P32YA13GEANGLNW</b>	1.5 kg
1/2"	43	90	<b>P32YA14GEMNGLNW</b>	1.5 kg	<b>P32YA14GEANGLNW</b>	1.5 kg



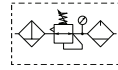
**Slide Valve + Filter/Regulator Combinations + Poly bowl**  
 5 micron element, 8 bar Regulator + Gauge and Wall Mounting Brackets  
 Inlet pressure 10 bar, Secondary pressure 6.3 bar, 1 bar pressure drop.

Port size	Flow		Manual Drain	Weight	Auto Drain	Weight
	dm <sup>3</sup> /s	(scfm)				
1/4"	22	45	<b>P32YN12GEMNGW</b>	1.1 kg	<b>P32YN12GEANGW</b>	1.1 kg
3/8"	33	70	<b>P32YN13GEMNGW</b>	1.1 kg	<b>P32YN13GEANGW</b>	1.1 kg
1/2"	43	90	<b>P32YN14GEMNGW</b>	1.1 kg	<b>P32YN14GEANGW</b>	1.1 kg

<b>P 3 2</b>					<b>E</b>		<b>N</b>		<b>L N</b>	<b>W</b>
<b>Combination</b>		<b>Thread type</b>		<b>Port size</b>		<b>Drain type</b>		<b>Adjustment range</b>		Add only for options with Lubricator
Combination <b>C</b> Shut off + Combination <sup>1</sup> <b>Y</b>		BSPP <b>1</b> NPT <b>9</b>		1/4 <b>2</b> 3/8 <b>3</b> 1/2 <b>4</b>		Auto drain <b>A</b> Manual drain <b>M</b>		<b>With round gauge</b> 0-2 bar; 0-30 psi; 0.2 MPa <b>Z</b> 4 bar; 60 psi; 0.4 MPa <b>M</b> 8 bar; 125 psi; 0.8 MPa <b>G</b> 17 bar; 250 psi; 1.7 MPa <sup>⊙</sup> <b>J</b>		
<sup>1</sup> Option not available with F+R+L		<b>Combination type</b>		<b>Bowl type</b>		<b>Note:</b> All bowl types are the same for each component				
		F/R+L <b>A</b> F+R+L <b>B</b> F/R <b>N</b>		Poly bowl with bowl guard <b>G</b> Metal bowl with sight glass <b>S</b>		<b>Example:</b> If a "G" is specified for a F+L, both units would get a poly bowl with bowl guard.				
						<sup>⊙</sup> Only available with metal bowl option				

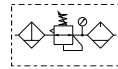


Popular Combinations - P33 Series



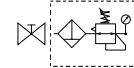
**Filter + Regulator + Lubricator Combinations + Poly bowl**  
5 micron element, 8 bar Regulator + Gauge and Wall Mounting Brackets  
Inlet pressure 10 bar, Secondary pressure 6.3 bar, 1 bar pressure drop.

Port size	Flow		Manual Drain	Weight	Auto Drain	Weight
	dm <sup>3</sup> /s	(scfm)				
1/2"	43	90	<b>P33CB14GEMNGLNW</b>	1.84 kg (4.06 lbs)	<b>P33CB14GEANGLNW</b>	1.84 kg (4.06 lbs)
3/4"	52	110	<b>P33CB16GEMNGLNW</b>	1.84 kg (4.06 lbs)	<b>P33CB16GEANGLNW</b>	1.84 kg (4.06 lbs)



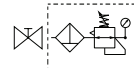
**Filter/Regulator + Lubricator Combinations + Poly bowl**  
5 micron element, 8 bar Regulator + Gauge and Wall Mounting Brackets  
Inlet pressure 10 bar, Secondary pressure 6.3 bar, 1 bar pressure drop.

Port size	Flow		Manual Drain	Weight	Auto Drain	Weight
	dm <sup>3</sup> /s	(scfm)				
1/2"	52	110	<b>P33CA14GEMNGLNW</b>	1.51 kg (3.33 lbs)	<b>P33CA14GEANGLNW</b>	1.51 kg (3.33 lbs)
3/4"	71	150	<b>P33CA16GEMNGLNW</b>	1.51 kg (3.33 lbs)	<b>P33CA16GEANGLNW</b>	1.51 kg (3.33 lbs)



**Slide Valve + Filter/Regulator + Lubricator Combinations + Poly bowl**  
5 micron element, 8 bar Regulator + Gauge and Wall Mounting Brackets  
Inlet pressure 10 bar, Secondary pressure 6.3 bar, 1 bar pressure drop.

Port size	Flow		Manual Drain	Weight	Auto Drain	Weight
	dm <sup>3</sup> /s	(scfm)				
1/2"	52	110	<b>P33YA14GEMNGLNW</b>	2.35 kg (5.2 lbs)	<b>P33YA14GEANGLNW</b>	2.35 kg (5.2 lbs)
3/4"	71	150	<b>P33YA16GEMNGLNW</b>	2.35 kg (5.2 lbs)	<b>P33YA16GEANGLNW</b>	2.35 kg (5.2 lbs)



**Slide Valve + Filter/Regulator Combinations + Poly bowl**  
5 micron element, 8 bar Regulator + Gauge and Wall Mounting Brackets  
Inlet pressure 10 bar, Secondary pressure 6.3 bar, 1 bar pressure drop.

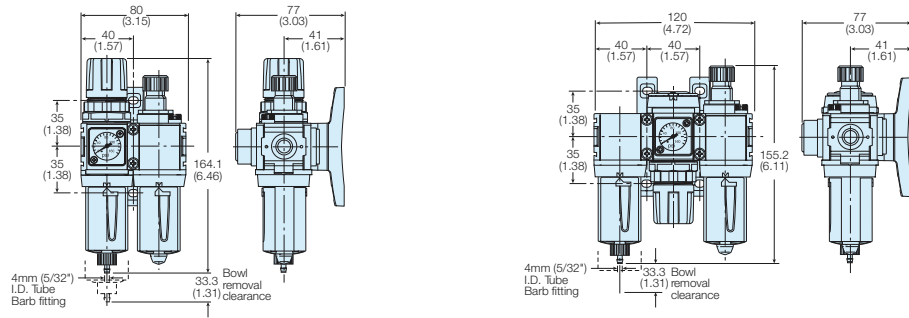
Port size	Flow		Manual Drain	Weight	Auto Drain	Weight
	dm <sup>3</sup> /s	(scfm)				
1/2"	52	110	<b>P33YN14GEMNGW</b>	1.7 kg (3.75 lbs)	<b>P33YN14GEANGW</b>	1.7 kg (3.75 lbs)
3/4"	71	150	<b>P33YN16GEMNGW</b>	1.7 kg (3.75 lbs)	<b>P33YN16GEANGW</b>	1.7 kg (3.75 lbs)

<b>P 3 3</b>					<b>E</b>		<b>N</b>		<b>L N</b>	<b>W</b>
<b>Combination</b> Combination <b>C</b> Shut off + Combination <sup>1</sup> <b>Y</b>		<b>Thread type</b> BSPP <b>1</b> NPT <b>9</b>		<b>Port size</b> 1/2 <b>4</b> 3/4 <b>6</b>		<b>Drain type</b> Auto drain <b>A</b> Manual drain <b>M</b>		<b>Adjustment range</b> <b>With round gauge</b> 0-2 bar; 0-30 psi; 0.2 MPa <b>Z</b> 4 bar; 60 psi; 0.4 MPa <b>M</b> 8 bar; 125 psi; 0.8 MPa <b>G</b> 17 bar; 250 psi; 1.7 MPa <sup>⊙</sup> <b>J</b>		Add only for options with Lubricator
<sup>1</sup> Option not available with F+R+L		<b>Combination type</b> F/R+L <b>A</b> F+R+L <b>B</b> F/R <b>N</b>		<b>Bowl type</b> Poly bowl with bowl guard <b>G</b> Metal bowl with sight glass <b>S</b>		<b>Note:</b> All bowl types are the same for each component <b>Example:</b> If a "G" is specified for a F+L, both units would get a poly bowl with bowl guard. <sup>⊙</sup> Only available with metal bowl option				

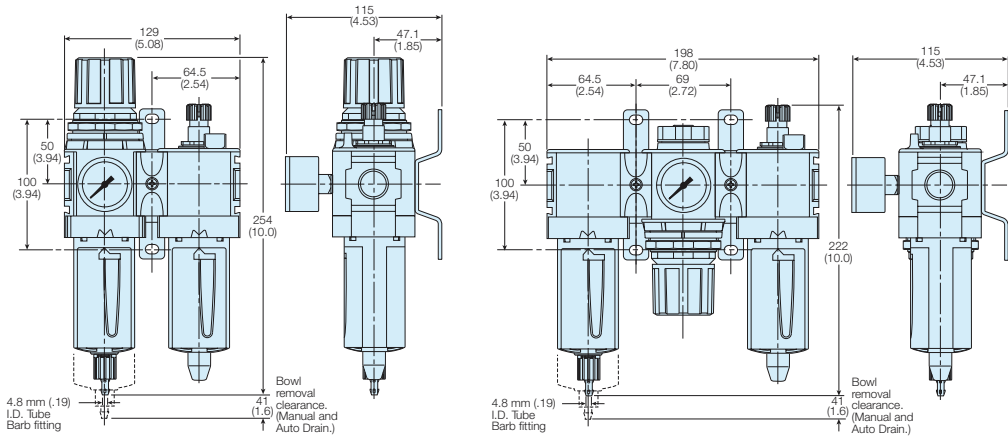


**Popular Combination Dimensions - mm (inches)**

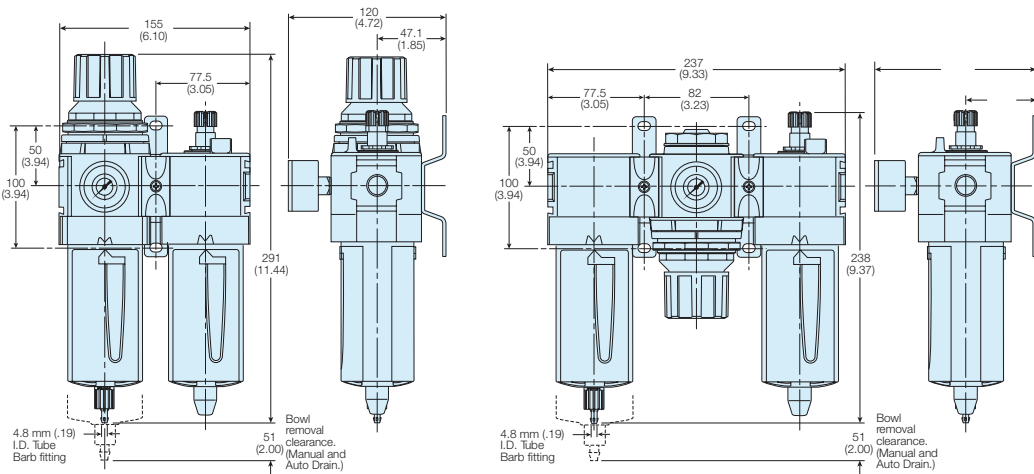
**P31**



**P32**



**P33**





**Filters - 5 µm**

Port	Description	Order code
1/4"	Poly bowl - Manual drain	<b>P31FA12EGMN</b>
1/4"	Poly bowl - Pulse drain	<b>P31FA12EGBN</b>
1/4"	Metal bowl - Manual drain	<b>P31FA12EMMN</b>
1/4"	Metal bowl - Pulse drain	<b>P31FA12EMBN</b>
1/4	Poly bowl - Manual drain	<b>P32FA12EGMN</b>
1/4	Poly bowl - Auto drain	<b>P32FA12EGAN</b>
1/4	Metal bowl sight glass - Manual drain	<b>P32FA12ESMN</b>
1/4	Metal bowl sight glass - Auto drain	<b>P32FA12ESAN</b>
3/8	Poly bowl - Manual drain	<b>P32FA13EGMN</b>
3/8	Poly bowl - Auto drain	<b>P32FA13EGAN</b>
3/8	Metal bowl sight glass - Manual drain	<b>P32FA13ESMN</b>
3/8	Metal bowl sight glass - Auto drain	<b>P32FA13ESAN</b>
1/2	Poly bowl - Manual drain	<b>P32FA14EGMN</b>
1/2	Poly bowl - Auto drain	<b>P32FA14EGAN</b>
1/2	Metal bowl sight glass - Manual drain	<b>P32FA14ESMN</b>
1/2	Metal bowl sight glass - Auto drain	<b>P32FA14ESAN</b>
1/2"	Poly bowl - Manual drain	<b>P33FA14EGMN</b>
1/2"	Poly bowl - Auto drain	<b>P33FA14EGAN</b>
1/2"	Metal bowl sight glass - Manual drain	<b>P33FA14ESMN</b>
1/2"	Metal bowl sight glass - Auto drain	<b>P33FA14ESAN</b>
3/4"	Poly bowl - Manual drain	<b>P33FA16EGMN</b>
3/4"	Poly bowl - Auto drain	<b>P33FA16EGAN</b>
3/4"	Metal bowl sight glass - Manual drain	<b>P33FA16ESMN</b>
3/4"	Metal bowl sight glass - Auto drain	<b>P33FA16ESAN</b>



**Coalescing Filters + Absorbers - 0,01 µm**

Port	Description	Order code
1/4"	Poly bowl - 0.01 µ - Manual drain	<b>P31FA12CGMN</b>
1/4"	Poly bowl - 0.01 µ - Pulse drain	<b>P31FA12CGBN</b>
1/4"	Metal bowl - 0.01 µ - Manual drain	<b>P31FA12CMMN</b>
1/4"	Metal bowl - 0.01 µ - Pulse drain	<b>P31FA12CMBN</b>
1/4"	Poly bowl - Adsorber	<b>P31FA12AGMN</b>
1/4"	Metal bowl - Adsorber	<b>P31FA12AMMN</b>
1/4"	Poly bowl - 0.01 µ, Manual drain	<b>P32FA12DGMN</b>
1/4"	Poly bowl - 0.01 µ, Auto drain	<b>P32FA12DGAN</b>
1/4"	Metal bowl sight glass - 0.01 µ, Man. drain	<b>P32FA12DSMN</b>
1/4"	Metal bowl sight glass - 0.01 µ, Auto drain	<b>P32FA12DSAN</b>
3/8"	Poly bowl - 0.01 µ, Manual drain	<b>P32FA13DGMN</b>
3/8"	Poly bowl - 0.01 µ, Auto drain	<b>P32FA13DGAN</b>
3/8"	Metal bowl sight glass - 0.01 µ, Man. drain	<b>P32FA13DSMN</b>
3/8"	Metal bowl sight glass - 0.01 µ, Auto drain	<b>P32FA13DSAN</b>
1/2"	Poly bowl - 0.01 µ, Manual drain	<b>P32FA14DGMN</b>
1/2"	Poly bowl - 0.01 µ, Auto drain	<b>P32FA14DGAN</b>
1/2"	Metal bowl sight glass - 0.01 µ, Man. drain	<b>P32FA14DSMN</b>
1/2"	Metal bowl sight glass - 0.01 µ, Auto drain	<b>P32FA14DSAN</b>
1/4"	Poly bowl - Adsorber	<b>P32FA12AGMN</b>
1/4"	Metal bowl sight glass - Adsorber	<b>P32FA12ASMN</b>
3/8"	Poly bowl - Adsorber	<b>P32FA13AGMN</b>
3/8"	Metal bowl sight glass - Adsorber	<b>P32FA13ASMN</b>
1/2"	Poly bowl - Adsorber	<b>P32FA14AGMN</b>
1/2"	Metal bowl sight glass - Adsorber	<b>P32FA14ASMN</b>
1/2"	Poly bowl - 0.01 µ, Manual drain	<b>P33FA14DGMN</b>
1/2"	Poly bowl - 0.01 µ, Auto drain	<b>P33FA14DGAN</b>
1/2"	Metal bowl sight glass - 0.01 µ, Man. drain	<b>P33FA14DSMN</b>
1/2"	Metal bowl sight glass - 0.01 µ, Auto drain	<b>P33FA14DSAN</b>
3/4"	Poly bowl - 0.01 µ, Manual drain	<b>P33FA16DGMN</b>
3/4"	Poly bowl - 0.01 µ, Auto drain	<b>P33FA16DGAN</b>
3/4"	Metal bowl sight glass - 0.01 µ, Man. drain	<b>P33FA16DSMN</b>
3/4"	Metal bowl sight glass - 0.01 µ, Auto drain	<b>P33FA16DSAN</b>
1/2"	Poly bowl - Adsorber	<b>P33FA14AGMN</b>
1/2"	Metal bowl sight glass - Adsorber	<b>P33FA14ASMN</b>
3/4"	Poly bowl - Adsorber	<b>P33FA16AGMN</b>
3/4"	Metal bowl sight glass - Adsorber	<b>P33FA16ASMN</b>



**Regulators**

Port	Description	Order code
1/4"	8 bar relieving	<b>P31RA12BNNP</b>
1/4"	8 bar relieving + gauge	<b>P31RA12BNTN</b>
1/4"	8 bar (125 psi) Relieving	<b>P32RA12BNNP</b>
1/4"	8 bar (125 psi) Relieving + Gauge	<b>P32RA12BNGP</b>
3/8"	8 bar (125 psi) Relieving	<b>P32RA13BNNP</b>
3/8"	8 bar (125 psi) Relieving + Gauge	<b>P32RA13BNGP</b>
1/2"	8 bar (125 psi) Relieving	<b>P32RA14BNNP</b>
1/2"	8 bar (125 psi) Relieving + Gauge	<b>P32RA14BNGP</b>
1/2"	8 bar (125 psi) Relieving	<b>P33RA14BNNP</b>
1/2"	8 bar (125 psi) Relieving + Gauge	<b>P33RA14BNGP</b>
3/4"	8 bar (125 psi) Relieving	<b>P33RA16BNNP</b>
3/4"	8 bar (125 psi) Relieving + Gauge	<b>P33RA16BNGP</b>



**Filter Regulators** - (P31) pressures 2 & 4 bar (P32/P33) pressures 2,4 & 17 bar available.

Port	Description	Order code
1/4"	8 bar (125 psi) Relieving - Poly bowl - Manual drain	<b>P31EA12EGMBNTP</b>
1/4"	8 bar (125 psi) Relieving - Poly bowl - Pulse drain	<b>P31EA12EGBBNTP</b>
1/4"	8 bar (125 psi) Relieving - Metal bowl - Manual drain	<b>P31EA12EMMBNTP</b>
1/4"	8 bar (125 psi) Relieving - Metal bowl - Pulse drain	<b>P31EA12EMBBNTP</b>
1/4"	8 bar (125 psi) Relieving - Poly bowl - Manual drain	<b>P32EA12EGMBNGP</b>
1/4"	8 bar (125 psi) Relieving - Poly bowl - Auto drain	<b>P32EA12EGABNGP</b>
1/4"	8 bar (125 psi) Relieving - Metal bowl sight glass - Manual drain	<b>P32EA12ESMBNGP</b>
1/4"	8 bar (125 psi) Relieving - Metal bowl sight glass - Auto drain	<b>P32EA12ESABNGP</b>
3/8"	8 bar (125 psi) Relieving - Poly bowl - Manual drain	<b>P32EA13EGMBNGP</b>
3/8"	8 bar (125 psi) Relieving - Poly bowl - Auto drain	<b>P32EA13EGABNGP</b>
3/8"	8 bar (125 psi) Relieving - Metal bowl sight glass - Manual drain	<b>P32EA13ESMBNGP</b>
3/8"	8 bar (125 psi) Relieving - Metal bowl sight glass - Auto drain	<b>P32EA13ESABNGP</b>
1/2"	8 bar (125 psi) Relieving - Poly bowl - Manual drain	<b>P32EA14EGMBNGP</b>
1/2"	8 bar (125 psi) Relieving - Poly bowl - Auto drain	<b>P32EA14EGABNGP</b>
1/2"	8 bar (125 psi) Relieving - Metal bowl sight glass - Manual drain	<b>P32EA14ESMBNGP</b>
1/2"	8 bar (125 psi) Relieving - Metal bowl sight glass - Auto drain	<b>P32EA14ESABNGP</b>
1/2"	8 bar (125 psi) Relieving - Poly bowl - Manual drain	<b>P33EA14EGMBNGP</b>
1/2"	8 bar (125 psi) Relieving - Poly bowl - Auto drain	<b>P33EA14EGABNGP</b>
1/2"	8 bar (125 psi) Relieving - Metal bowl sight glass - Manual drain	<b>P33EA14ESMBNGP</b>
1/2"	8 bar (125 psi) Relieving - Metal bowl sight glass - Auto drain	<b>P33EA14ESABNGP</b>
3/4"	8 bar (125 psi) Relieving - Poly bowl - Manual drain	<b>P33EA16EGMBNGP</b>
3/4"	8 bar (125 psi) Relieving - Poly bowl - Auto drain	<b>P33EA16EGABNGP</b>
3/4"	8 bar (125 psi) Relieving - Metal bowl sight glass - Manual drain	<b>P33EA16ESMBNGP</b>
3/4"	8 bar (125 psi) Relieving - Metal bowl sight glass - Auto drain	<b>P33EA16ESABNGP</b>



**Lubricators**

Port	Description	Order code
1/4"	Poly bowl - No drain	<b>P31LA12LGNN</b>
1/4"	Metal bowl - No drain	<b>P31LA12LMNN</b>
1/4"	Poly bowl - No drain	<b>P32LA12LGNN</b>
1/4"	Metal bowl - No drain	<b>P32LA12LSNN</b>
3/8"	Poly bowl - No drain	<b>P32LA13LGNN</b>
3/8"	Metal bowl - No drain	<b>P32LA13LSNN</b>
1/2"	Poly bowl - No drain	<b>P32LA14LGNN</b>
1/2"	Metal bowl - No drain	<b>P32LA14LSNN</b>
1/2"	Poly bowl - No drain	<b>P33LA14LGNN</b>
1/2"	Metal bowl - No drain	<b>P33LA14LSNN</b>
3/4"	Poly bowl - No drain	<b>P33LA16LGNN</b>
3/4"	Metal bowl - No drain	<b>P33LA16LSNN</b>



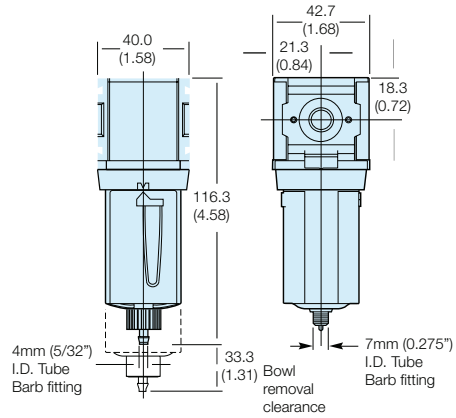
**Gauges**

Port	Description	Order code
P31	Square Flush Mounting Gauge Kit	0-4 bar 0-10 bar <b>K4511SCR04B</b> <b>K4511SCR11B</b>
P31	40mm Round Gauge	0-30 psi / 0-2 bar 0-60 psi / 0-4.1 bar 0-160 psi / 0-10 bar 1/8" 1/8" 1/8" <b>P3D-KAB1AYN</b> <b>P3D-KAB1ALN</b> <b>P3D-KAB1ANN</b>
P32 / P33	50mm Round Gauge	0-60 psi / 0-4.1 bar 0-160 psi / 0-10 bar 0-300 psi / 0-20 bar 1/4" 1/4" 1/4" <b>P6G-ERB2040</b> <b>P6G-ERB2110</b> <b>P6G-ERB2200</b>

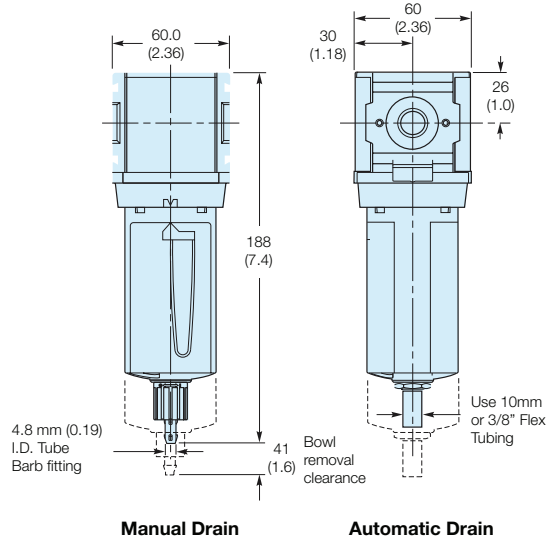


**Filter Dimensions - mm (inches)**

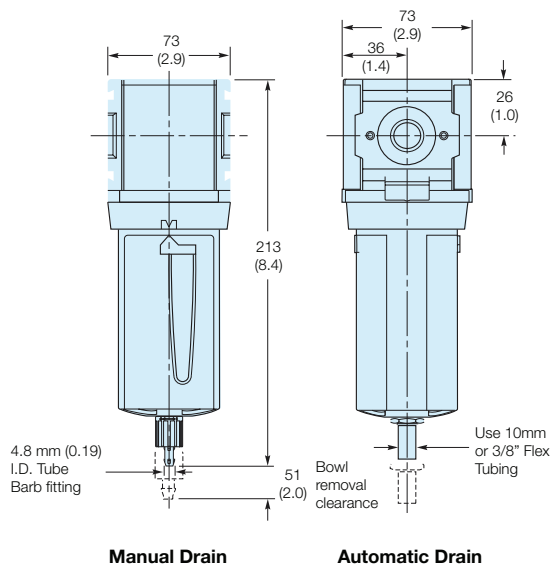
**P31**



**P32**

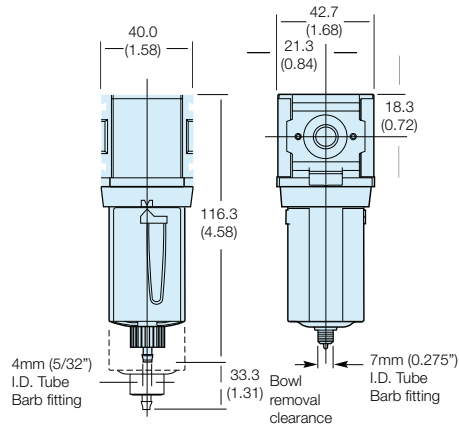


**P33**

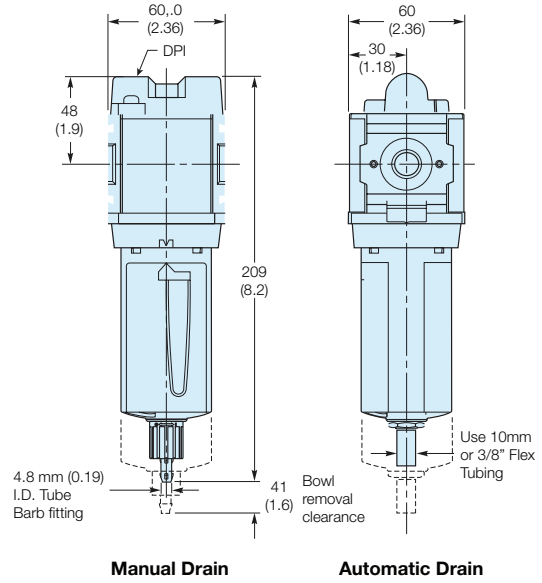


**Coalescing / Adsorber Filter Dimensions - mm (inches)**

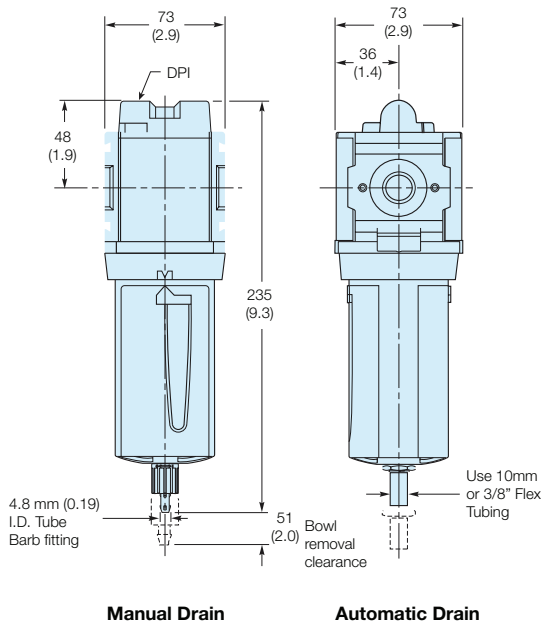
**P31**



**P32**



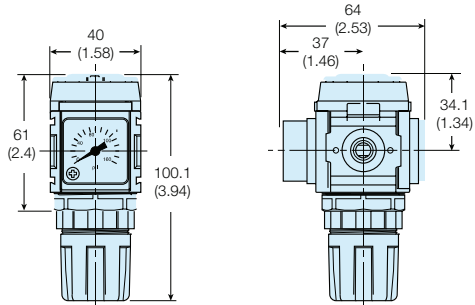
**P33**





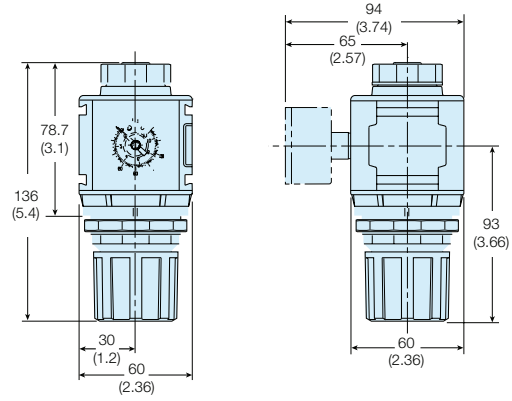
**Regulator Dimensions - mm (inches)**

**P31**



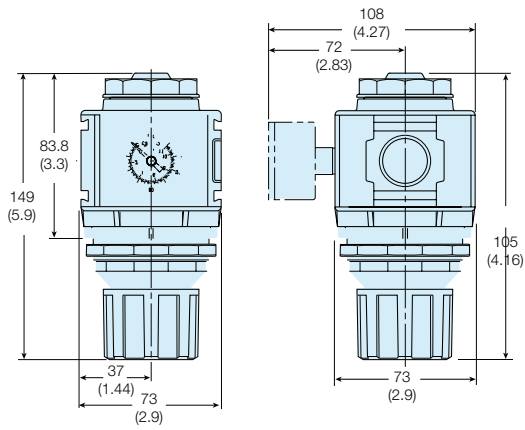
**NOTE:** Ø 30 mm hole required for panel nut mounting.

**P32**



**NOTE:** Ø 47 mm hole required for panel nut mounting.

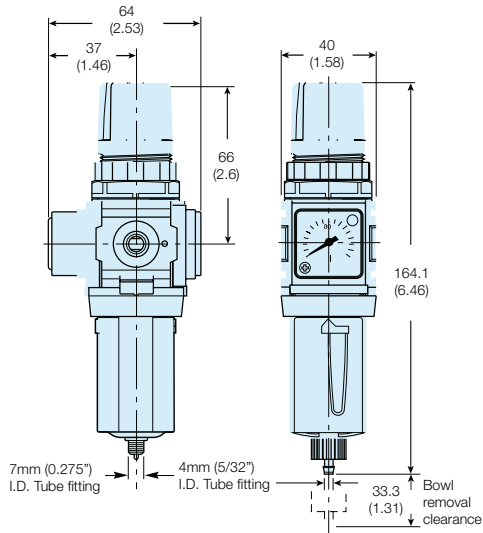
**P33**



**NOTE:** Ø 60 mm hole required for panel nut mounting.

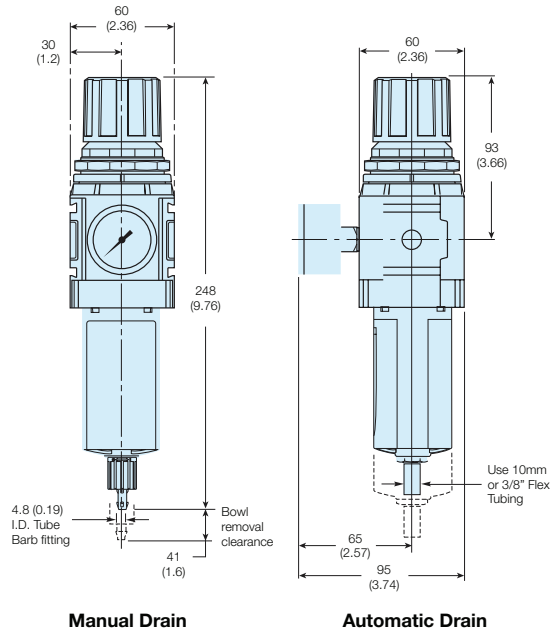
**Filter Regulator Dimensions - mm (inches)**

**P31**



**Note:**  
 Flush-mounted gauge kits will not fit units originally purchased with threaded gauge ports.

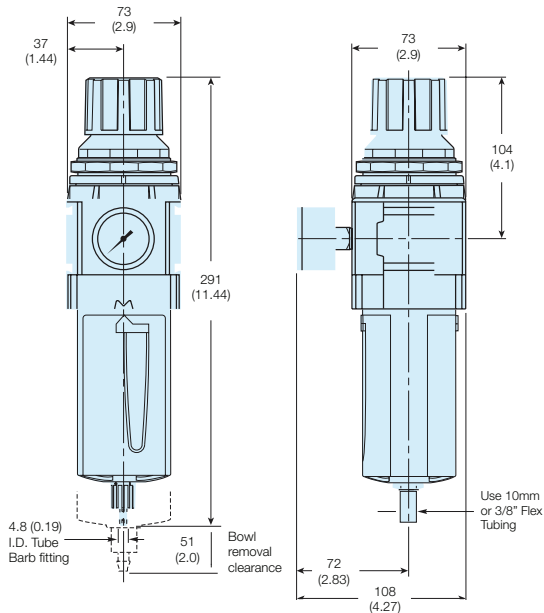
**P32**



**Manual Drain**

**Automatic Drain**

**P33**

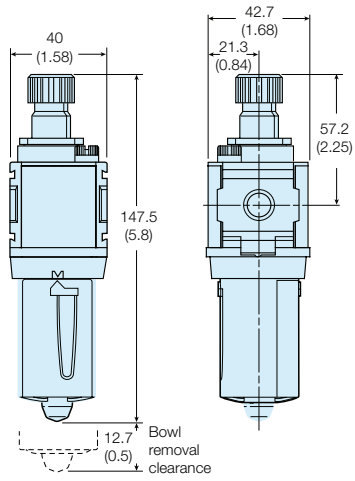


**Manual Drain**

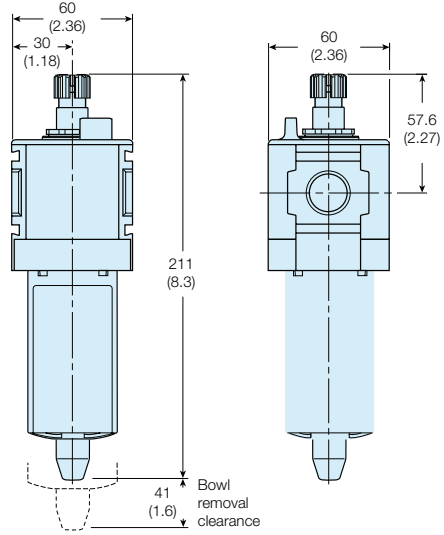
**Automatic Drain**

Lubricator Dimensions - mm (inches)

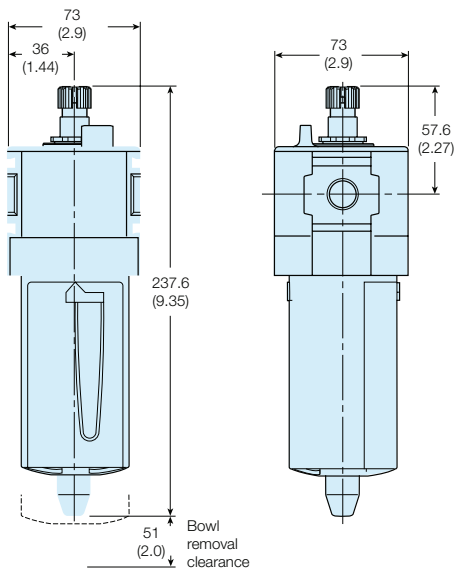
P31



P32



P33



**Combined Soft Start Dump Valve and Remote Operated Dump Valve**

Port	Description	Order code
1/4	Solenoid operated (not included)	<b>P31TA12SGN0000</b>
1/4	24VDC Solenoid & cable plug	<b>P31TA12SGNC2CN</b>
1/4	Air pilot operated	<b>P31TA12PPN</b>
1/2	Solenoid operated (not included)	<b>P32TA14SCN0000</b>
1/2	24VDC 30mm coil & cable plug incl.	<b>P32TA14SCNA2CN</b>
1/2	Air pilot operated	<b>P32TA14PPN</b>

**Soft Start Valve**

Port	Description	Order code
1/4	Solenoid operated (not included)	<b>P31SA12SGN0000</b>
1/4	24VDC Solenoid & cable plug	<b>P31SA12SGNC2CN</b>
1/4	External air pilot (1/8 threaded)	<b>P31SA12PPN</b>
1/2	Solenoid operated (not included)	<b>P32SA14SCN0000</b>
1/2	24VDC 30mm coil & cable plug	<b>P32SA14SCNA2CN</b>
1/2	Internal air pilot operated	<b>P32SA14Y0N</b>
1/2	External air pilot (1/8 threaded)	<b>P32SA14PPN</b>

**Safety Lockout Valves**

Model Type	Port Size	Thread type	Safety Lockout Valve Flow from left to right
<b>P31</b>	1/4	BSPP	<b>P31VA12LSAN</b>
<b>P32</b>	3/8	BSPP	<b>P32VA13LSAN</b>
	1/2	BSPP	<b>P32VA14LSAN</b>
<b>P33</b>	1/2	BSPP	<b>P33VA14LSAN</b>
	3/4	BSPP	<b>P33VA16LSAN</b>

Model Type	Port Size	Thread type	Safety Lockout Valve Flow from right to left
<b>P32</b>	3/8	BSPP	<b>P32VA13LSBN</b>
	1/2	BSPP	<b>P32VA14LSBN</b>
<b>P33</b>	1/2	BSPP	<b>P33VA14LSBN</b>
	3/4	BSPP	<b>P33VA16LSBN</b>

For thread type: NPT **9**

**C-Bracket**

(Fits to filter and lubricator body)

P31
<b>P31KA00MW</b>

**T-Bracket**

(Fits to body connector or port block)

P32	P33
<b>P32KA00MB</b>	<b>P32KA00MB</b>

**T-Bracket w / Body Connector**

P31	P32	P33
<b>P31KA00MT</b>	<b>P32KA00MT</b>	<b>P32KA00MT</b>

**L-Bracket**

(Fits to filter and lubricator body)

P32	P33
<b>P32KA00ML</b>	<b>P33KA00ML</b>

**Angle Bracket**

(Fits to regulator and filter/regulator)

P31	P32	P33
<b>P31KA00MR</b>	<b>P32KA00MR</b>	<b>P32KA00MR</b>

**Panel mounting nut**

(Aluminium)

P31	P32	P33
<b>P31KA00MM</b>	<b>P32KA00MM</b>	<b>P33KA00MM</b>

**Body Connector**

'O' ring kit - Pack of 5

P31	P32
<b>P31KA00CY</b>	<b>P32KA00CY</b>

**Body Connector**

P31	P32	P33
<b>P31KA00CB</b>	<b>P32KA00CB</b>	<b>P32KA00CB</b>

**Remote Operated Dump Valve**

Port	Description	Order code
1/4	Solenoid operated (not included)	<b>P31DA12SGN0000</b>
1/4	24VDC Solenoid & cable plug	<b>P31DA12SGNC2CN</b>
1/4	Air pilot operated	<b>P31DA12PPN</b>
1/2	Solenoid operated (not included)	<b>P32DA14SCN0000</b>
1/2	24VDC 30mm coil & cable plug incl.	<b>P32DA14SCNA2CN</b>
1/2	Air pilot operated	<b>P32DA14PPN</b>

**Modular Ball Valve**

Model type	Port size	Thread type	Flow dm <sup>3</sup> /s (scfm)	Modular Ball Valve Flow from left to right
<b>P31</b>	1/4"	BSPP	20 (42.4)	<b>P31VA12LBNN</b>
<b>P32</b>	3/8"	BSPP	90 (190.7)	<b>P32VA13LBNN</b>
	1/2"	BSPP	122 (258.5)	<b>P32VA14LBNN</b>
<b>P33</b>	1/2"	BSPP	122 (258.5)	<b>P33VA14LBNN</b>
	3/4"	BSPP	122 (258.5)	<b>P33VA16LBNN</b>

For thread type: BSPP **1**  
NPT **9**

**Manifold Blocks**

Model Type	In / Out Port Size	Auxiliary Port Size Top	Auxiliary Port Size Bottom	Thread Type	Order Code
<b>P31</b>	1/4"	1/4"	1/4"	BSPP	<b>P31MA12022N</b>
<b>P32</b>	1/2"	1/4"	1/2"	BSPP	<b>P32MA14024N</b>
<b>P33</b>	3/4"	1/4"	1/2"	BSPP	<b>P33MA16024N</b>

For thread type: BSPP **1**  
NPT **9**

**Branch Manifold**

<b>P32</b>	1/2"	1/4"	1/4"	BSPP	<b>P32MD14022N</b>
<b>P32</b>	1/4"	1/4"	1/4"	BSPP	<b>P32MD12022N</b>

Seal kit for square gauge mtg on P32MD **P32KA00RX**



**Accessories Kits**

Series	Description	Order Code	
P31 P32 P33	Panel Mount Nut (Plastic)	<b>P31KA00MP</b> <b>P32KA00MP</b> <b>P33KA00MP</b>	
P31 P32 P33	Panel Mount Nut (Aluminium)	<b>P31KA00MM</b> <b>P32KA00MM</b> <b>P33KA00MM</b>	
P31 P32 P33	5µ Element Kit	<b>P31KA00ESE</b> <b>P32KA00ESE</b> <b>P33KA00ESE</b>	
P31 P32 P33	40µ Element Kit	<b>P31KA00ESG</b> <b>P32KA00ESG</b> <b>P33KA00ESG</b>	
P31 P32 P33	1µ Element Kit	<b>P31KA00ES9</b> <b>P32KA00ES9</b> <b>P33KA00ES9</b>	
P31 P32 P33	0.01µ Element Kit	<b>P31KA00ESC</b> <b>P32KA00ESC</b> <b>P33KA00ESC</b>	
P31 P32 P33	Adsorber Element Kit	<b>P31KA00ESA</b> <b>P32KA00ESA</b> <b>P33KA00ESA</b>	
P32 / P33	Auto Drain Kit	<b>P32KA00DA</b>	
P32 / P33	Differential Pressure Indicator Kit	<b>P32KA00RQ</b>	
P31 P32 / P33	Fill Plug Kit	<b>P31KA00PL</b> <b>P32KA00PL</b>	
P31 / P32 / P33	Drip Control Assembly Kit	<b>P32KA00PG</b>	

**Accessories Kits**

Series	Description	Order Code	
P31 P32 P33	Plastic Bowl with Bowl Guard & Manual Drain	<b>P31KA00BGM</b> <b>P32KA00BGM</b> <b>P33KA00BGM</b>	
P31	Plastic Bowl with Bowl Guard & Pulse Drain	<b>P31KA00BGB</b>	
P32 P33	Plastic Bowl with Bowl Guard & Auto Drain	<b>P32KA00BGA</b> <b>P33KA00BGA</b>	
P31	Metal Bowl without Sight Gauge & Pulse Drain	<b>P31KA00BMB</b>	
P32 P33	Metal Bowl with Sight Gauge & Manual Drain	<b>P32KA00BSM</b> <b>P33KA00BSM</b>	
P32 P33	Metal Bowl with Sight Gauge & Auto Drain	<b>P32KA00BSA</b> <b>P33KA00BSA</b>	
P31 P32 P33	Lubricator - Plastic Bowl with Bowl Guard & Close End	<b>P31KA00BGN</b> <b>P32KA00BGN</b> <b>P33KA00BGN</b>	
P31 P32 P33	Lubricator - Metal Bowl Without Sight Gauge, No Drain Lubricator - Metal Bowl With Sight Gauge, No Drain Lubricator - Metal Bowl With Sight Gauge, No Drain	<b>P31KA00BMN</b> <b>P32KA00BSN</b> <b>P33KA00BSN</b>	