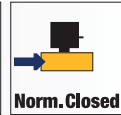


2/2

VALVES FOR ALL FLUIDS AND AIR AIR OPERATED



316L S.STEEL BODY / 304 S.STEEL ACTUATOR



PIPE MOUNTING

NORMALLY CLOSED

Port size	Orifice Ø	Actuator size	Flow factors			Seat Seal	Atex Zone	Operating Pressure Differential		Fluid Temp.		Pilot Control Pressure Min / Max	Flow Direction	Solenoid Valve Order Number
			Kv l/min	KV m³/h	Qn l/min			Min bar	Max bar	Min °C	Max °C			
3/8"	13	32	78	4.70	-	PTFE	2-22	0	16	0	180	4.5 to 10	Over Seat	PA10C1G3R032S ₁
								0	6	0	180	5 to 10	Under Seat	PA10C2G3R032S ₁
		0						16	0	180	3 to 10	Over Seat	PA10S1G3R050S ₂	
		0						16	0	180	4.5 to 10	Under Seat	PA10SAG3R050S ₂	
1/2"	13	32	78	4.70	-	PTFE	2-22	0	16	0	180	4.5 to 10	Ove Seat	PA15C1G4R032S ₁
								0	6	0	180	5 to 10	Under Seat	PA15C2G4R032S ₁
		0						16	0	180	4 to 10	Over Seat	PA15S1G4R040S ₂	
		0						16	0	180	3 to 10	Over Seat	PA15S1G4R050S ₂	
		50						0	16	0	180	4.5 to 10	Under Seat	PA15SAG4R050S ₂

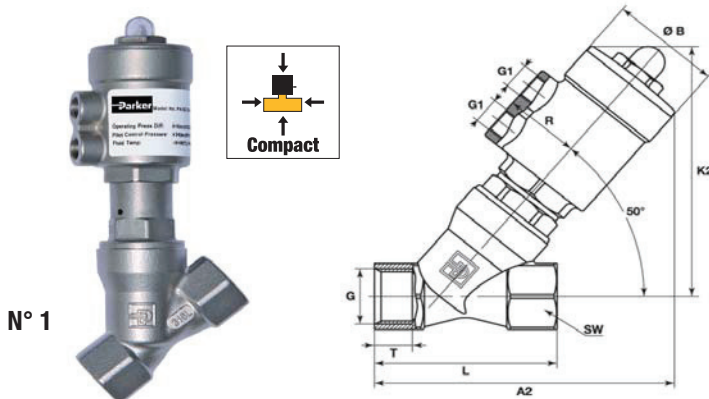
+ ATEX

Notes:

- Drawing number 1
- Drawing number 2

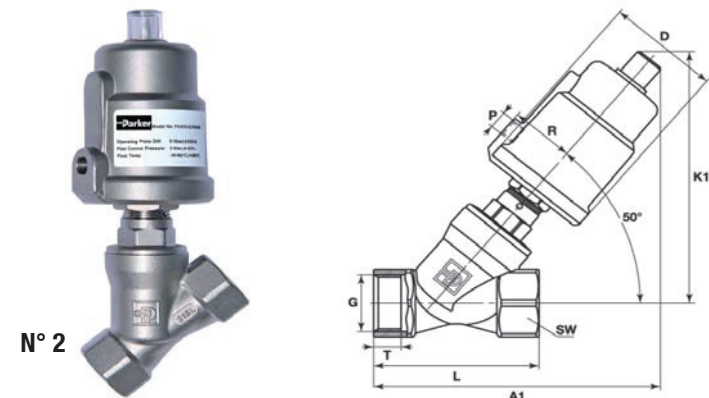
Fast Delivery

For liquids use valve with flow direction under the seat to avoid anti water hammer effect.



N° 1

G	Actuator	Ø B	R	G1	K2 Type C1/C2 (180°C)	A2 Type C1/C2 (180°C)	L	T	SW
G 3/8"	32	39.6	27	G1/8	107	117	60	10	22 hexagon
G 1/2"	32	39.6	27	G1/8	109	119	65	11.5	25 hexagon



N° 2

G	Actuator	D	R	P	K1	A1	L	T	SW
G 3/8"	40	50.5	27	G1/8	116	121	60	10	22 hexagon
	50	62	34	G1/8	130	133	60	10	22 hexagon
G 1/2"	40	50.5	27	G1/8	118	124	65	11.5	25 hexagon
	50	62	34	G1/8	131	135	65	11.5	25 hexagon

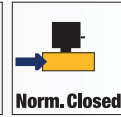
Please select pilot control valves within page 60

Warning : Check minimum operating control pressure page 40



2/2

VALVES FOR ALL FLUIDS AND AIR AIR OPERATED



All Fluids & Air

316L S.STEEL BODY / 304 S.STEEL ACTUATOR



PIPE MOUNTING

NORMALLY CLOSED

Port size	Orifice Ø	Actuator size	Flow factors			Seat Seal	Atex Zone	Operating Pressure Differential		Fluid Temp.		Pilot Control Pressure Min / Max	Flow Direction	Solenoid Valve Order Number
			Kv l/min	KV m³/h	Qn l/min			Min bar	Max bar	Min °C	Max °C			
3/4"	15	32	90	5.40	-	PTFE	2-22	0	14	0	180	4.5 to 10	Over Seat	PA20C1G5R032S ₁
								0	4	0	180	5 to 10	Under Seat	PA20C2G5R032S ₁
	18	50	150	9.00				0	16	0	180	3 to 10	Over Seat	PA20S1G5R050S ₂
								0	10	0	180	4.5 to 10	Under Seat	PA20SAG5R050S ₂
1"	24	63	267	16.00				0	16	0	180	3 to 10	Over Seat	PA25S1G6R063S ₂
								0	8	0	180	4.5 to 10	Under Seat	PA25SAG6R063S ₂
1-1/4"	31	80	400	24.00				0	16	0	180	3 to 10	Over Seat	PA32S1G7R063S ₂
								0	11	0	180	4 to 10	Under Seat	PA32SAG7R080S ₂

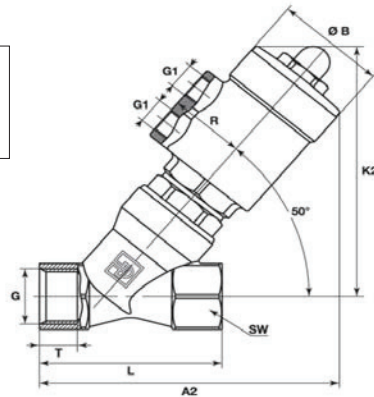
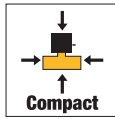
+ ATEX

Notes:

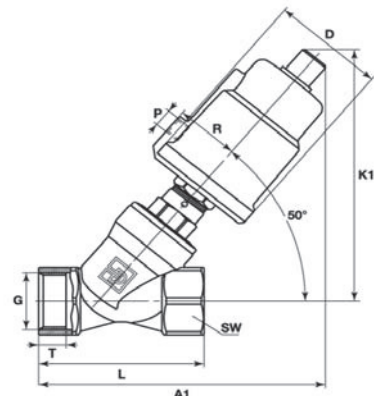
- Drawing number 1
- Drawing number 2

Fast Delivery

For liquids use valve with flow direction under the seat to avoid anti water hammer effect.



G	Actuator	Ø B	R	G1	K2	A2	L	T	SW
G 3/4"	32	39.6	27	G1/8	Type C1/C2 (180°C) 112	Type C1/C2 (180°C) 126	75	14	31 hexagon



G	Actuator	D	R	P	K1	A1	L	T	SW
G 3/4"	50	62	34	G1/8	134	141	75	14	31 hexagon
G 1"	50	62	34	G1/8	141	153	90	15	39 hexagon
	63	77	41.5	G1/8	164	175	90	15	39 hexagon
G1-1/4"	63	77	41.5	G1/8	170	188	110	18	50 octagon
	80	98	52	G1/4	184	205	110	18	50 octagon

Please select pilot control valves within page 60
Warning : Check minimum operating control pressure page 40

