

Order Instructions – Basic Cylinder

1-4	5+6	7	8	9	10	11	12-16	17	18	19	20	21	22	23	24	25
OSPP	25	0	0	0	0	0	01100	0	0	0	0	0	0	0	0	0

Piston-Ø
10
16
25
32
40
50
63
80

Stroke Length
In mm (5 digits)

Piston Mounting
0 without
1 clevis mounting

add. Guide Carriage
0 without

Measuring system
0 without
X SFI 0,1 mm
Y SFI 1 mm

Screws
0 standard
1 Stainless

Cushioning
0 standard
1 max. length ³⁾

Version / Piston
0 standard
1 Tandem

Lubrication
0 standard
1 slow speed ²⁾³⁾

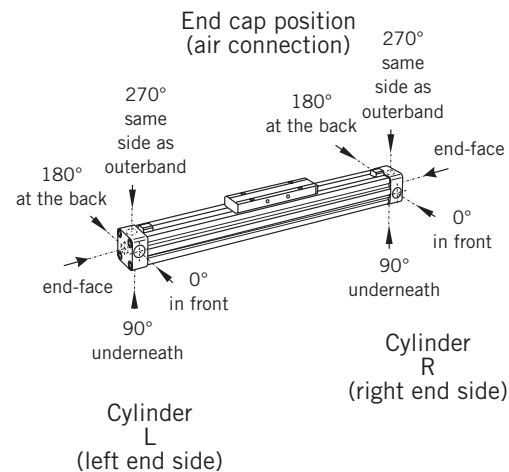
End cap position
0 l+r 0° = in front
1 l+r 90° = underneath
2 l+r 180° = at the back
3 l+r 270° = same side as outerband
4 l 90° = underneath; r 0° = in front
5 l 180° = at the back; r 0° = in front
6 l 270° = same side as outerband; r 0° = in front
7 l 0° = in front; r 90° = underneath
8 l 180° = at the back; r 90° = underneath
9 l 270° = same side as outerband; r 90° = underneath
A l 0° = in front; r 180° = at the back
B l 90° = underneath; r 180° = at the back
C l 270° = same side as outerband; r 180° = at the back
D l 0° = in front; r 270° = same side as outerband
E l 90° = underneath; r 270° = same side as outerband
F l 180° = at the back; r 270° = same side as outerband

Guides/ Brakes/ Inversion
0 without
A Activebrake AB Ø 25-80
M Inversion Ø 16-80
N Duplex Ø 25,32,40,50

Cover / Cable Channel
0 standard
1 Cable channel
2 Cable channel two-sided
X without cover rail

Air Connection
0 standard
1 end face
2 both at one end
3 left stand. right end face
4 right stand. left end face
A 3/2 Way valve VOE 24 V = Ø 25,32,40,50
B 3/2 Way valve VOE 230 V~ / 110 V = Ø 25,32,40,50
C 3/2 Way valve VOE 48 V = Ø 25,32,40,50
E 3/2 Way valve VOE 110 V~ Ø 25,32,40,50

Seals
0 standard (NBR)
1 Viton ^{® 1)}



¹⁾ Viton with VOE not available.

²⁾ Slow speed lubrication in combination with Viton[®] seals on demand

³⁾ „Lubrication slow speed“ in combination with „max. cushioning length“ not possible.

Accessories - please order separately

Description	Further information see
End Cap Mountings	Page 105
Mid-Section Support	Page 106
Adaptor Profile	Page 118
T-Slot Profile	Page 119
Adaptor Profile	Page 120
Multiplex Connection	Page 122
Magnetic Switches	Page 123- 130